



US00D339577S

United States Patent [19]
Velinsky

[11] **Patent Number: Des. 339,577**
[45] **Date of Patent: ** Sep. 21, 1993**

[54] **GAME CARTRIDGE**

[75] **Inventor: Ira L. Velinsky, El Granada, Calif.**

[73] **Assignee: Atari Corporation, Sunnyvale, Calif.**

[**] **Term: 14 Years**

[21] **Appl. No.: 579,999**

[22] **Filed: Sep. 10, 1990**

[52] **U.S. Cl. D14/121**

[58] **Field of Search D3/35; D14/120; D21/13;
273/DIG. 28; 360/132; 242/71.8, 197-200**

[56]

References Cited

U.S. PATENT DOCUMENTS

D. 260,881 9/1981 McKinsey et al. D14/114
D. 274,905 7/1984 Rainey et al. D14/121
D. 312,081 11/1990 Yukawa D14/121

Primary Examiner—Terry A. Pfeffer

Attorney, Agent, or Firm—Michael L. Sherrard

[57]

CLAIM

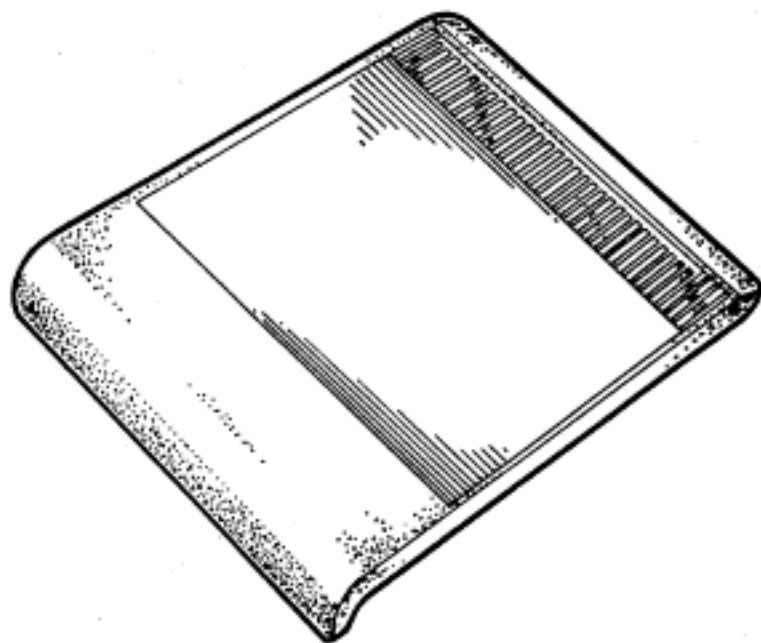
The ornamental design for a game cartridge, as shown.

DESCRIPTION

FIG. 1 is a side elevational view of the game cartridge showing my new design;

FIG. 2 is a rear perspective view thereof; and,

FIG. 3 is a front perspective view thereof.



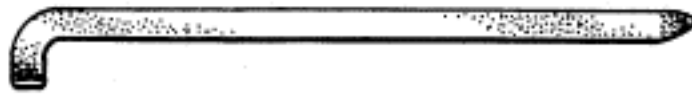


FIG. 1

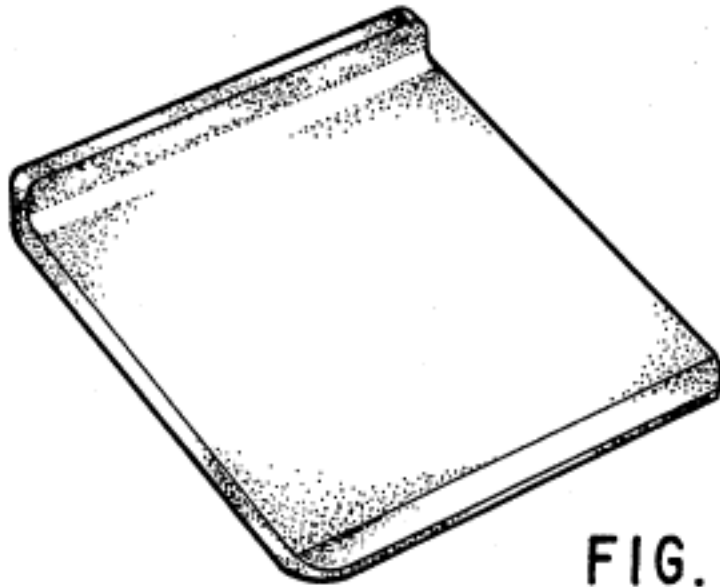


FIG. 2

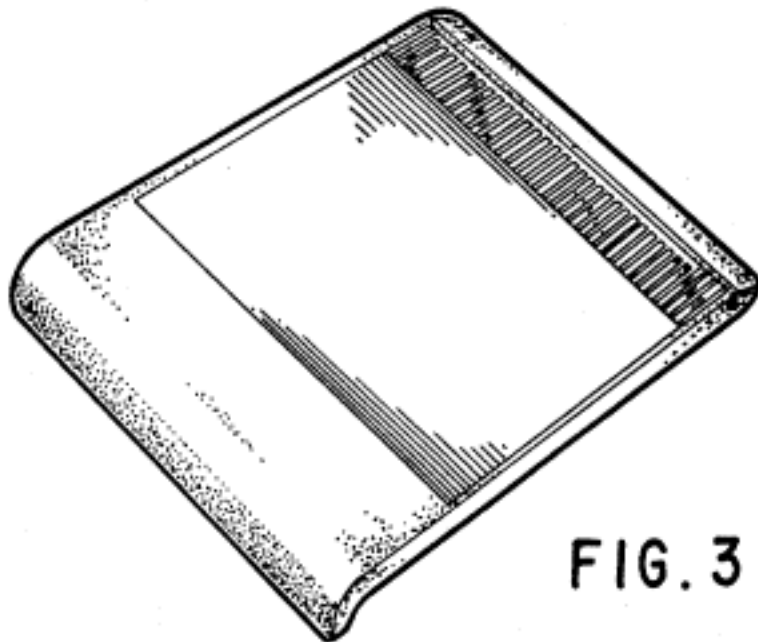


FIG. 3